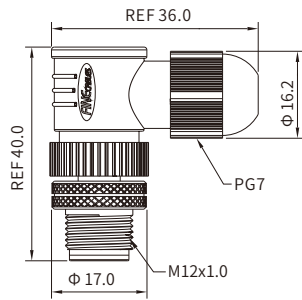


M12 D-coding (Ethernet)

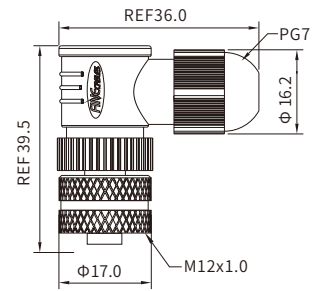


M12 D-coding Angled Connector, Field Wirable Assembly, Solder

Male



Female



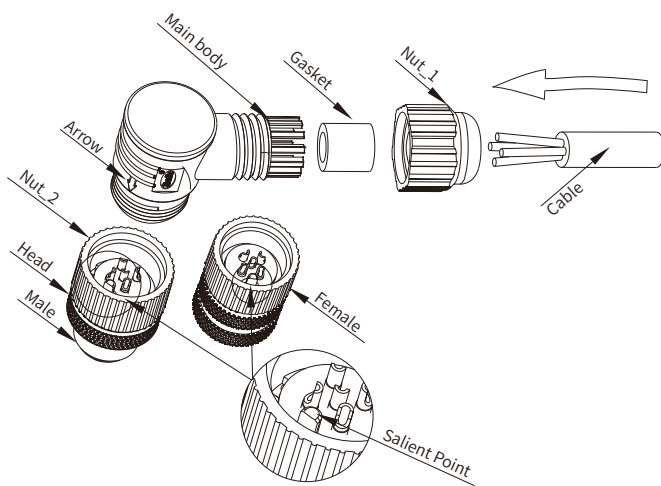
Specifications

Contacts	4
Pin layout(Male)	
Pin layout(Female)	
Standard	IEC 61076-2-101
Ambient temperature	-25°C~+90°C
Connector insert	TPU
Connector contacts	Brass with gold plated
Connector body	PA
Coupling nut/screw	Brass with nickel plated
Seal/O-ring	FKM
Insulation resistance	≥100MΩ
Contact resistance	≤5mΩ
Shielding	Unavailable
Suitable cable Dia	4~5.5mm
IP rating	IP67, IP68 in locked condition
Mating endurance	>500 cycles
Rated current	4 A
Rated voltage	250V AC/DC
Wire gauge	0.34mm ² (AWG22)

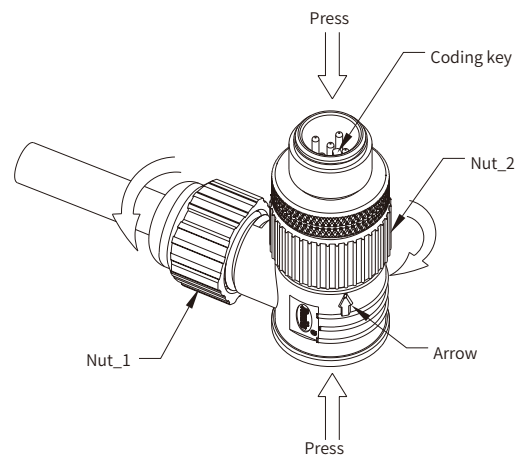
Part Number

Pins	Male	Female
4	MB12MADFF04RA	MB12FADFF04RA

Assembly Instruction



Picture 1



Picture 2